



Applications:

- ▶ Law Enforcement Aircraft Systems
- ▶ ENG Helicopter Systems

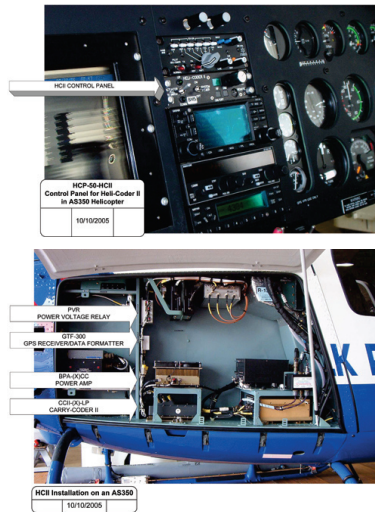
Key Features:

- ▶ Digital Transmission, DVB-T Compliant
- ▶ HD Ready
- ▶ 6 MHz Occupied Bandwidth Feature
- ▶ Simple Setup and Operation
- ▶ GPS Data Option
- ▶ PIN Scrambling System for Privacy
- ▶ Intuitive Operator Controls
- ▶ Fully Standards Compliant

Companion Systems:

- ▶ TAA-101 Omni Actuator System
- ▶ GCA-11 Airborne Directional Antenna
- ▶ GCA-4 GPS Steerable Antenna System

Ordering Information		
HCII-7	1.99 - 2.5 GHz	10W
HCII-4L	4.4 - 4.7 GHz	5W
HCII-4H	4.7 - 5.0 GHz	5W
HCII-9	6.425 - 6.525 GHz	5W



The Heli-Coder II (HCII) is a COFDM digital microwave transmitter system intended to downlink live video from an aircraft. The system encompasses a Carry-Coder II, a BPA-10CC power amplifier, and an HCP-50-HCII control panel.

A pioneer in Digital COFDM Technology, BMS' Coder II line of products offer low delay, 4:2:0/4:2:2

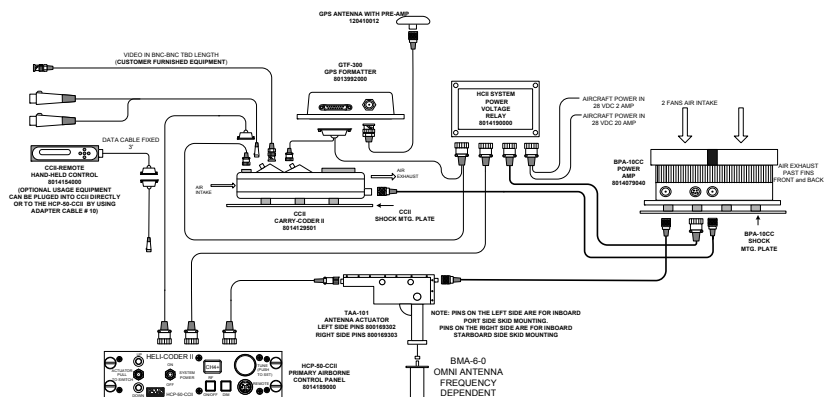
MPEG-2 encoding and decoding, RF amplification, and COFDM modulation for non-line-of-sight operation. Standard features include ASI In/Out, SDI and Video Out.

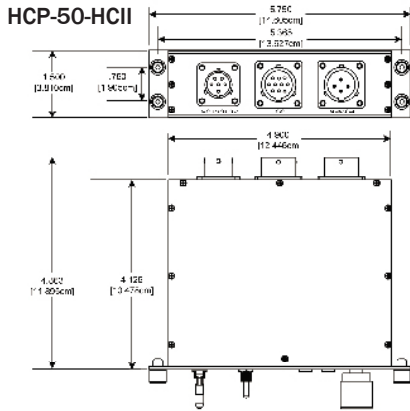
A data wayside channel transmits GPS data. An optional dedicated GPS receiver may be added that allows automatic tracking by specially equipped ground stations.

Technical Characteristics	BPA-(x)CC
Frequency	1.99-2.5 GHz, 2.3-2.7 GHz, 4.4-5.0 GHz, or 6.425-6.525 GHz
RF Output Power	10W Average COFDM (2 GHz), 5W for 4 GHz, 5W for 6 GHz
Input Voltage	28 VDC (± 10%), 8 Amps at 10W Output Power with Fans
Operating Temperature	-20° to +50 °C
Storage Temperature	-40° to +90 °C
Dimensions	~ 9.5" x 5" x 4" (Includes Heatsink & Fan) ~ (24 x 12.7 x 10 cm)
Weight	~ 8 lbs (Includes Heatsink & Fan) ~ (3.6 kg)
RF Input (BPA)	Type "N"
RF Output (BPA)	Type "N" Isolator Protected
Shock Mount Plate	9.85" x 7.50", Drilled for Easy Installation (25.019 x 19.05 cm)

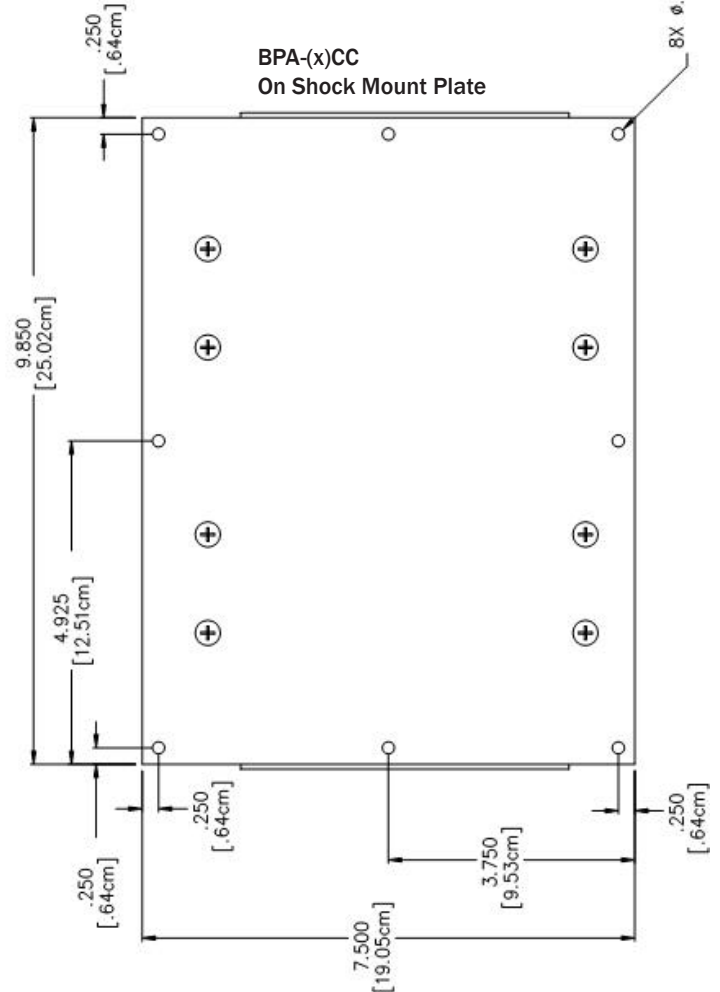
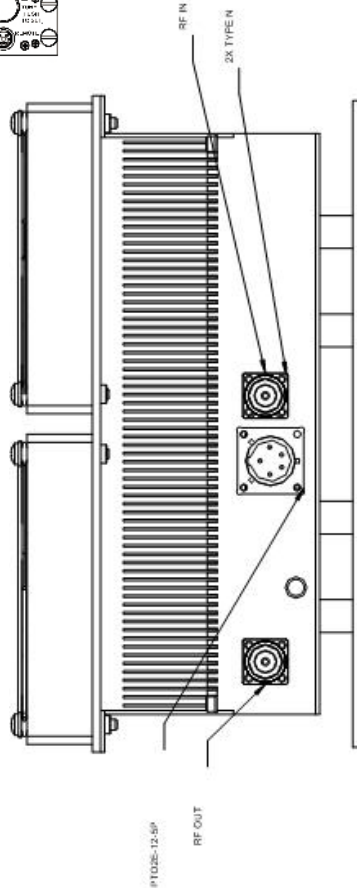
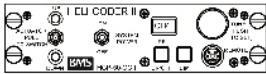
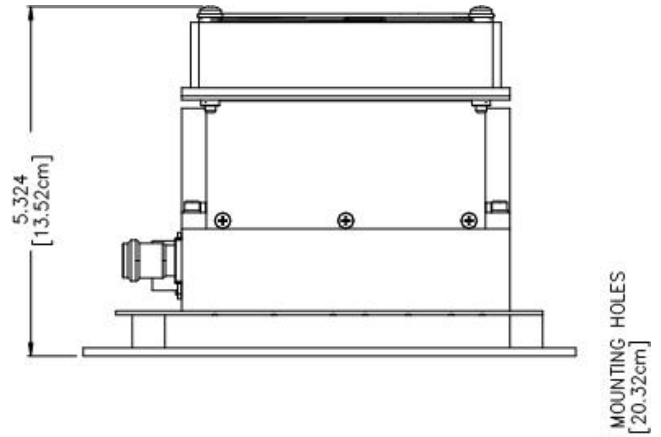
Technical Characteristics	Carry-Coder II (CII)
Frequency	1.99-2.5 GHz, 2.3-2.7 GHz, 4.4-5.0 GHz, or 6.425-6.525 GHz (Adjustable with 250 kHz Resolution)
MPEG-2 Encoding	4:2:0/4:2:2
End to End System Delay	<90 msec
Video Channel	1
Audio Channels	2: (32, 64, 128, or 192 Kb/s per Channel)
Data Channels	1: (RS232 = 9600 bps)
COFDM Modulation Scheme	DVB-T Compliant (2K Carriers)
Channel Bandwidth	6/7/8 MHz
RF Output Power	20 mW
Power Consumption	3.2 Amps/12V at 1W RF Output (38W DC)
Input Voltage	+11 to +32 VDC
Preset Configurations	8
Operating Range	-20° to +50 °C
Dimensions	2.61" x 4.48" x 10.6" (6.63 x 11.38 x 26.9 cm)
Weight	5.5 lbs (2.50 kg)
Shock Mount Plate	11.6" x 6.5", Drilled for Easy Installation (25.019 x 19.05 cm)
Other Features	<ul style="list-style-type: none"> Handheld Remote Control with High Luminosity Fluorescent Display Expert Mode for User Configuration
Options	Rack Mount System
HCP-50-HCII	
Dimensions	1.5" x 5.75" x 4.25" Deep (2.81 x 14.61 x 10.79 cm)
Weight	<1 lb. (<.453 kg)
Mounting	Standard Rail Mount, dzus Fasteners (x4)

Optional Equipment	
GTF-300	GPS Receiver
GA-56	GPS Antenna
GCA-11	Directional Antenna Pod
GCA-4	Directional Antenna Pod
TAA-101	Omni Antenna Actuator



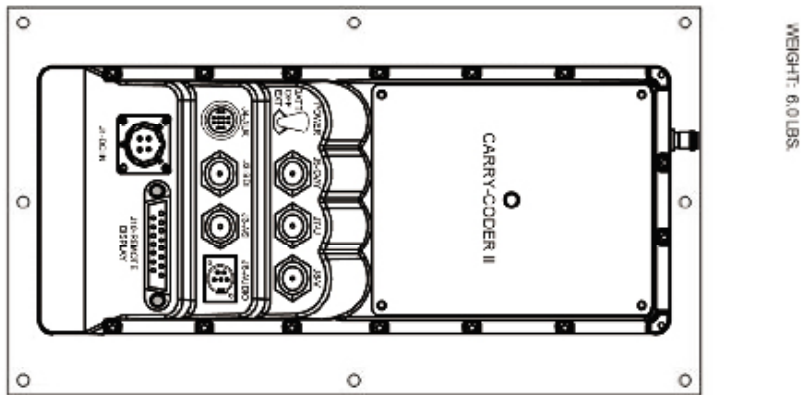


WEIGHT: 9 lbs
9 AMPS
P102B-14-SP
A=+24-32VDC
C=+24-32V RETURN
EPA ON/OFF



All Data Subject to Change Without Notice

Broadcast Microwave Services, Inc.
12367 Crosthwaite Circle - Poway, California 92064 - U.S.A.
Tel: +1-858-391-3050, Toll Free (U.S.): 800-669-9667
Fax: +1-858-391-3049, Website: www.bms-inc.com
E-mail: sales@bms-inc.com



WEIGHT: 6.0 LBS.

